

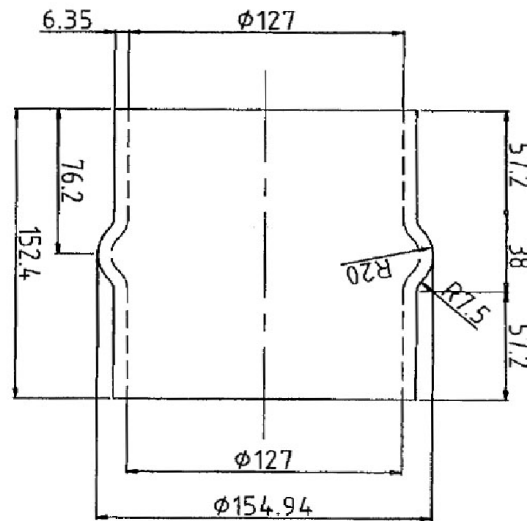
PPR Part Number: 59-5H5

Upper Inner Diameter: 5"
Upper Outer Diameter: 5.25"
Lower Inner Diameter: 5"
Lower Outer Diameter: 5.25"

Length: 6"

Material: EPDM

Primary Application:
Hump Hose reducer



Millimeters

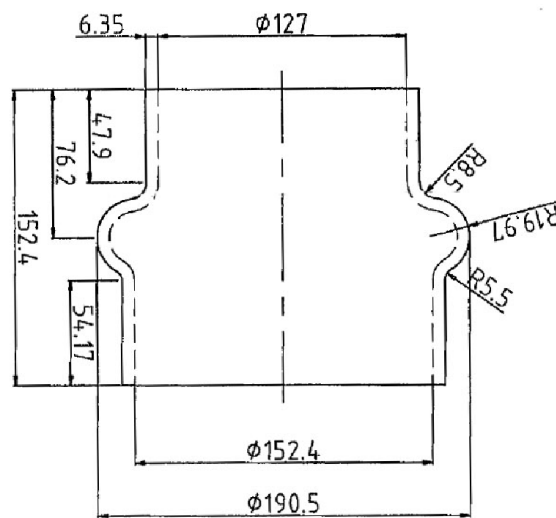
PPR Part Number: 59-6H5

Upper Inner Diameter: 5"
Upper Outer Diameter: 5.25"
Lower Inner Diameter: 6"
Lower Outer Diameter: 6.25"

Length: 6"

Material: EPDM

Primary Application:
Hump Hose reducer



Millimeters

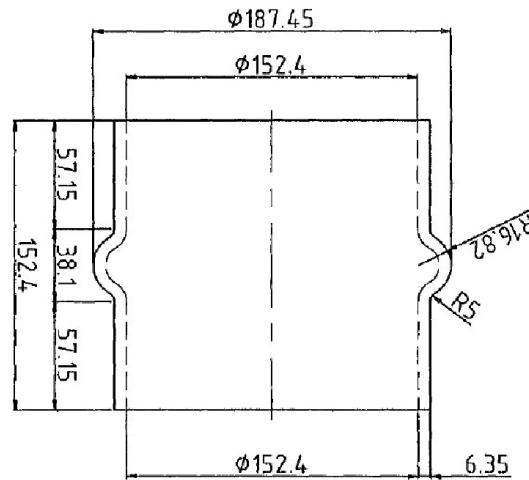
PPR Part Number: 59-6H6

Upper Inner Diameter: 6"
Upper Outer Diameter: 6.25"
Lower Inner Diameter: 7"
Lower Outer Diameter: 7.25"

Length: 6"

Material: EPDM

Primary Application:
Hump Hose reducer



Millimeters

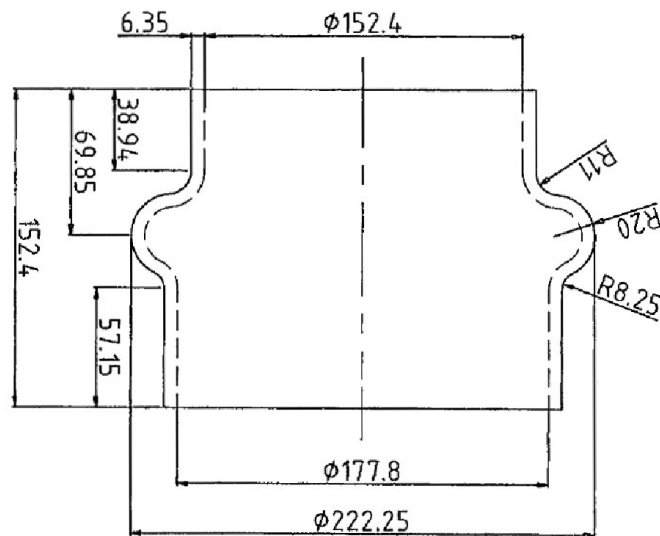
PPR Part Number: 59-7H6

Upper Inner Diameter: 6"
Upper Outer Diameter: 6.25"
Lower Inner Diameter: 7"
Lower Outer Diameter: 7.25"

Length: 6"

Material: EPDM

Primary Application:
Hump Hose reducer



Millimeters

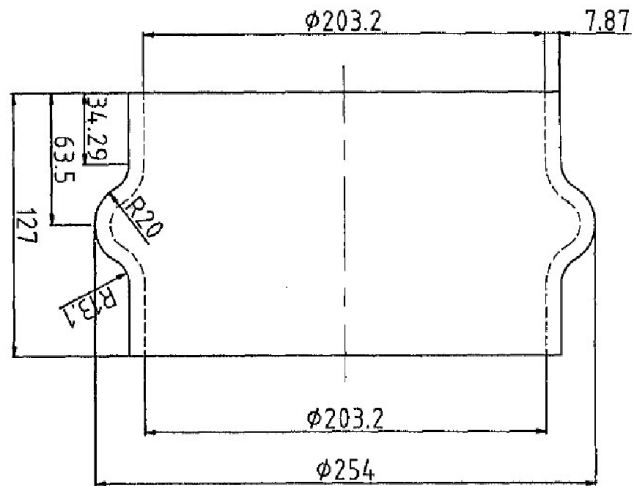
PPR Part Number: 59-8H8S

Upper Inner Diameter: 8"
Upper Outer Diameter: 8.25"
Lower Inner Diameter: 8"
Lower Outer Diameter: 8.28"

Length: 5"

Material: EPDM

Primary Application:
Hump Hose reducer



Millimeters

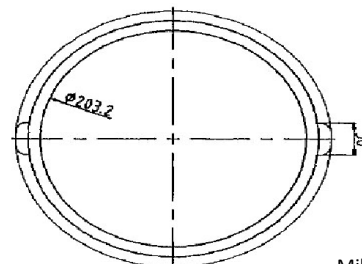
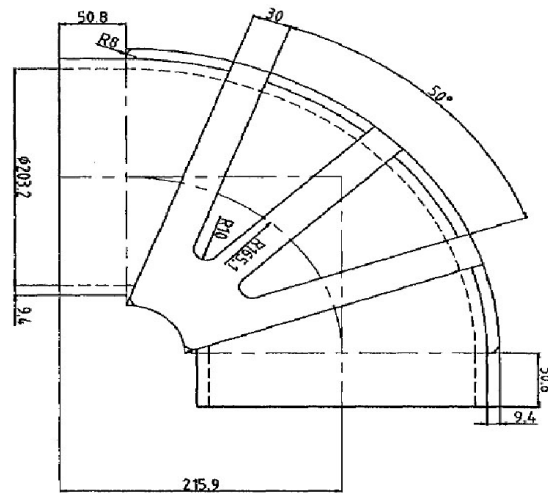
PPR Part Number: 59-90L80

Inner Diameter: 8"
Outer Diameter: 8.25"

Radius: 90

Material: EPDM

Primary Application:
Hump Hose reducer



Millimeters

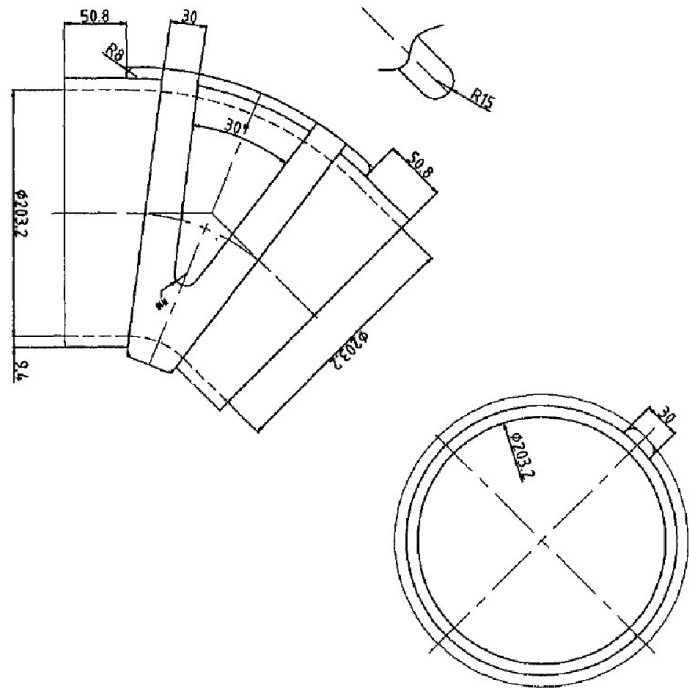
PPR Part Number: 59-45L80

Inner Diameter: 8"
Outer Diameter: 8.25"

Radius: 45

Material: EPDM

Primary Application:
Hump Hose reducer



Millimeters